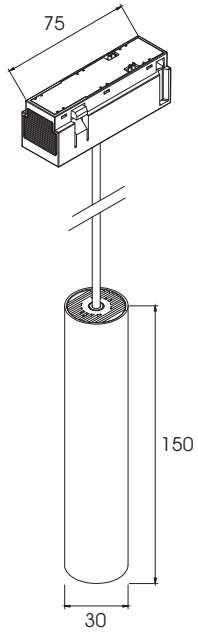


CLICK IT PENDANT 10W

Installation Manual

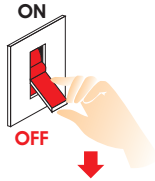


1

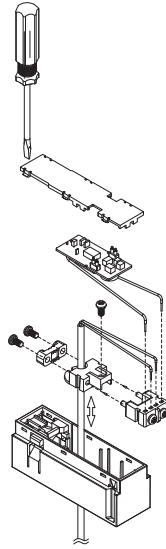


Attention

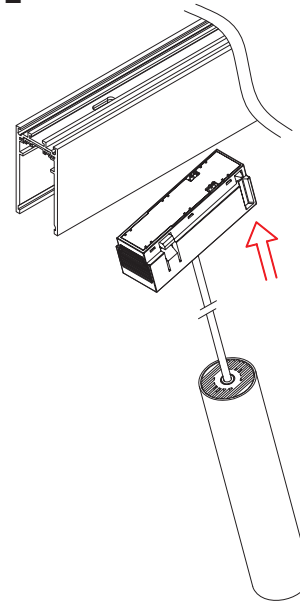
Switch off the main power.



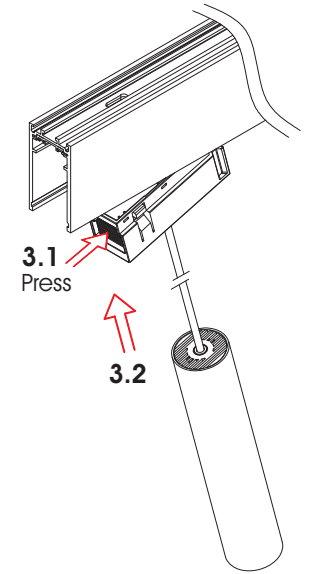
For cable adjustment follow the instructions



2

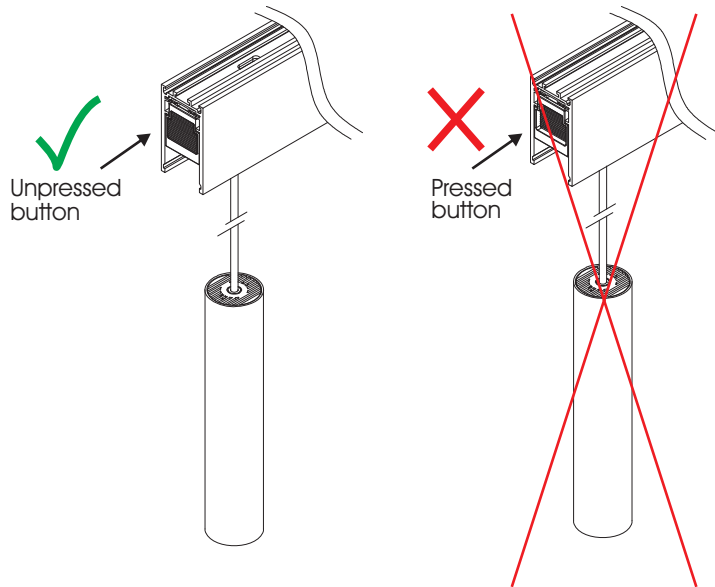


3

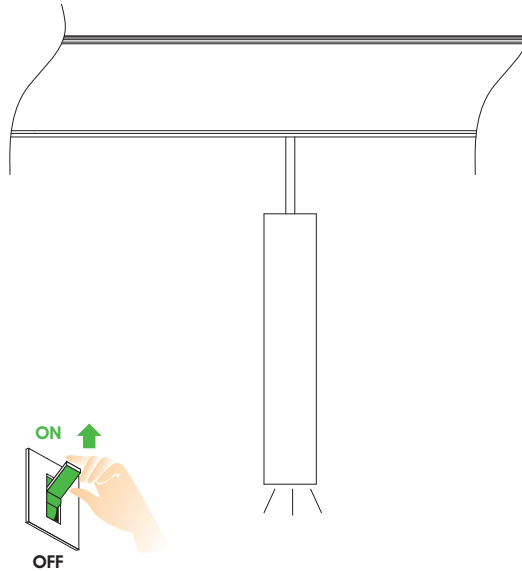


4

Be sure that the click button is not pressed



5



6

To uninstall make sure you first press the button

